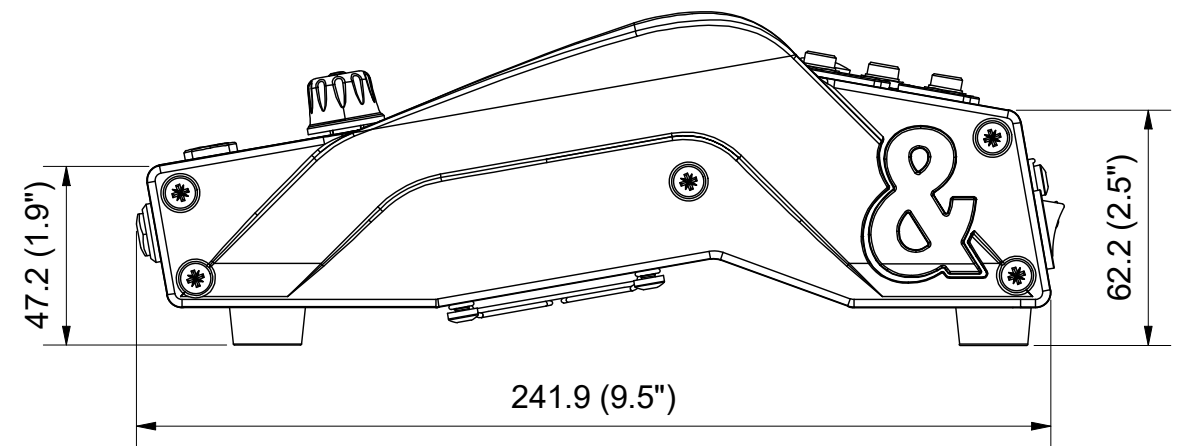
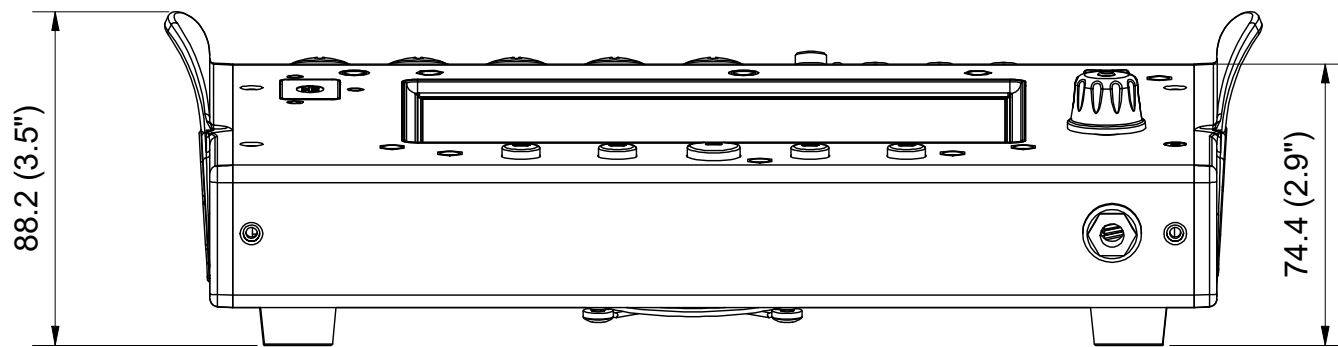


CQ-12T - without box
 Width - 290.4mm/11.4"
 Depth - 241.9mm/9.5"
 Height - 88.2mm/3.5"
 Weight - 2.4kg/5.3lbs

CQ-12T - with box
 Width - 370mm/14.6"
 Depth - 305mm/12"
 Height - 190mm/7.5"
 Weight - 3.2kg/7.05lbs



REVISION HISTORY				
ISSUE	DESCRIPTION	ECN	DATE	APPROVED
1	NAME CHANGE		20/05/2021	ALEXMO



MATERIAL:
 All materials to be compliant with The Restriction of Hazardous Substances (ROHS2) Directive 2011/65/EU

TOLERANCES U O S:
 GENERAL ± 0.25 HOLE CENTERS ± 0.10
 HOLE SIZES ± 0.10 ANGULAR DIMS ± 1.00'

FINISH:

DRAWING
 MAIN ASSY

UNIT CQ-12T

PART No 007-234

DRAWING No Micro S Weights and Dims

ALLEN & HEATH Ltd.
 KERNICK INDUSTRIAL ESTATE
 PENRYN CORNWALL TR10 9LU
 TELEPHONE 01326 372070
 FACSIMILE 01326 370153

SHEET
 1 of 1