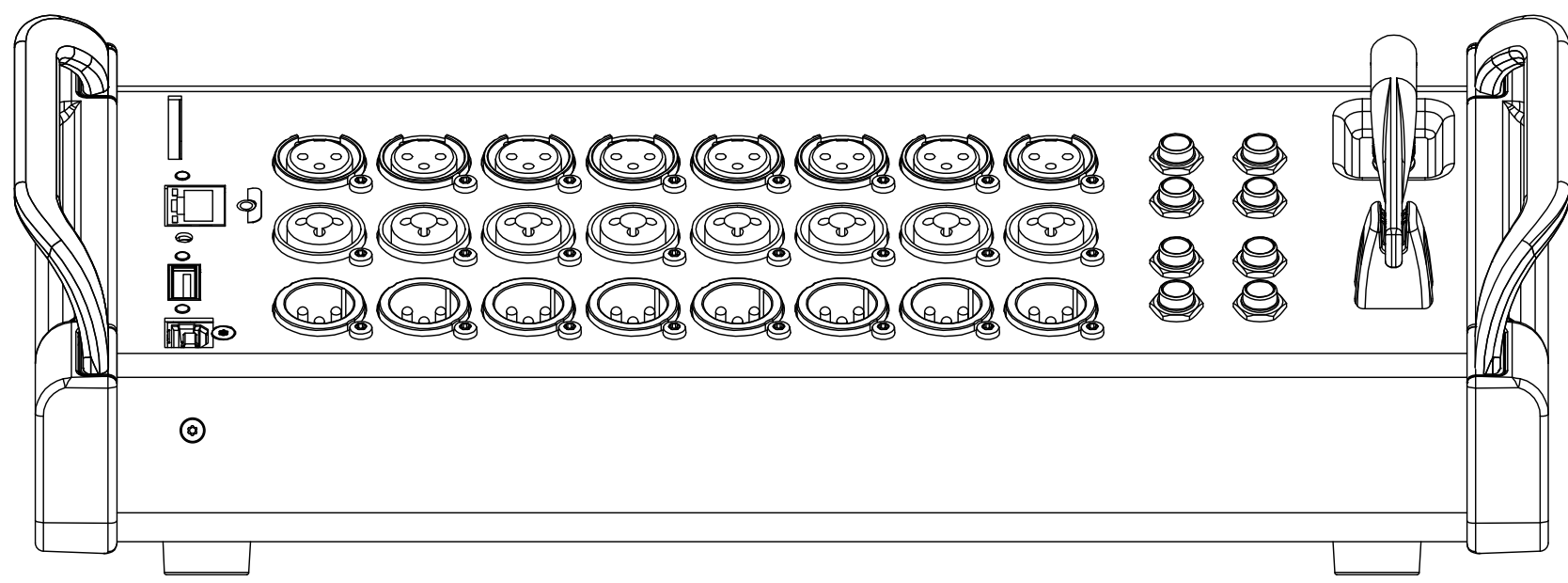
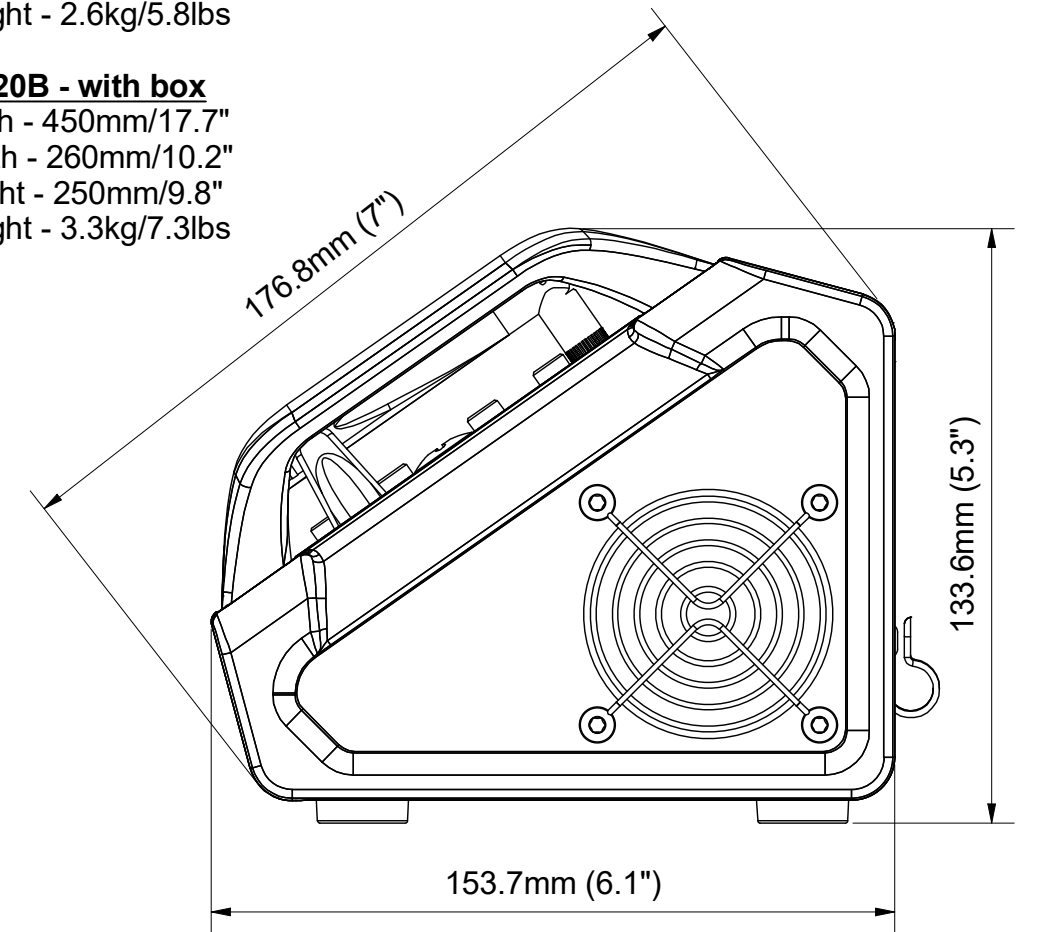


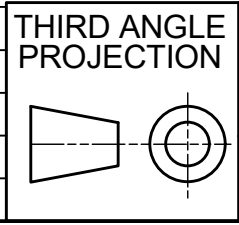
**CQ-20B - without box**  
 Width - 372mm/14.7"  
 Depth - 153.7mm/6.1"  
 Height - 133.8mm/5.3"  
 Weight - 2.6kg/5.8lbs



**CQ-20B - with box**  
 Width - 450mm/17.7"  
 Depth - 260mm/10.2"  
 Height - 250mm/9.8"  
 Weight - 3.3kg/7.3lbs



REVISION HISTORY				
REV	DESCRIPTION	ECN	DATE	APPROVED
A	ORIGIN		16/01/2019	ALEXMO
B	PROTO 2		16/07/2020	ALEXMO
1	NAME UPDATES		24/05/2021	ALEXMO



**MATERIAL:**  
 All materials to be compliant with The Restriction of Hazardous Substances (ROHS2) Directive 2011/65/EU

**TOLERANCES U O S:**  
 GENERAL ± 0.25 HOLE CENTRES ± 0.10  
 HOLE SIZES ± 0.05 ANGULAR DIMS ± 0.50'

**FINISH:**

<b>DRAWING</b> MAIN MINI ASSY	
<b>UNIT</b> CQ-20B	
<b>PART</b> No 004-1245	<b>DRAWING No</b> Mini Weights and Dims MK2

**ALLEN & HEATH Ltd.**  
 KERNICK INDUSTRIAL ESTATE  
 PENRYN CORNWALL TR10 9LU  
 TELEPHONE 01326 372070  
 FACSIMILE 01326 370153

**SHEET**  
1 of 1