

## Technische Spezifikationen:

### Optics and light source

- 1,200 W RGBAL LED module
- 30.000 lm Output at 7000 K
- > 20,000 h life time
- Flicker-free operation, camera mode: 100, 120 and 600 Hz
- Zoom range: 6.5° – 54° (1:8.3)

### Effects

- 1 gobo wheel with 8 static, interchangeable gobos + open
- 1 gobo wheel with 6 rotate-, position- and interchangeable gobos + open
- CMY, RGB and RGBAL color mixing
- CRI infinitely adjustable;  $\leq 96$
- The white light color temperature is seamlessly adjustable from 2000 to 12,000 Kelvin
- Adjustable +/- green shift
- Framing module with 4 blades – each with separate motion and rotation control, the module can be rotated by 130° (+/- 65°), each blade independently by +/- 30°
- Endlessly rotating animation wheel for water and fire effects
- Motorised infinitely adjustable high-speed iris with 18 fins
- 1 prism, 3-facet circular, rotate- and indexable
- 1 prism, 5-facet linear, rotate- and indexable
- 2 frost filters (soft edge/flood frost), continuously variable – optional further frost stages possible
- Electronic dimmer 0% – 100%
- Electronic shutter with preprogrammed puls- and ramp functions
- Focus system with auto focus function
- Zoom range: 6.5° – 54° (1:8.3)

### Movement

- 3 phase extra strong stepping motors
- Precise, very fast and silent movement
- 540° pan / 280° tilt

### Control and programming

- USITT DMX-512, RDM
- Ethernet interface with Art-Net and sACN
- Wireless DMX / RDM Lumen Radio CRMX TiMo
- LCD display with control keys, electronically rotatable and a battery backup
- Mini USB for software update
- Stand-alone mode, master/slave function
- Built-in DMX analyser

### Construction

- Original JB-Lighting slide-in module technology
- Rugged construction
- Transport lock for pan/tilt
- Travel limiter configured
- Fan control for almost noiseless operation, 28 dB(A)
- Neutrik 5pin XLR IN/OUT
- Neutrik etherCON IN/OUT
- Neutrik powerCON TRUE1 IN/OUT

### Rigging

- 2 Omega brackets with Original Camloc® fasteners for quick and convenient installation with four different fastening options

### Electrical specification

- Max. power consumption 1,600 VA
- Input voltage range 100V – 240V, 50/60 Hz

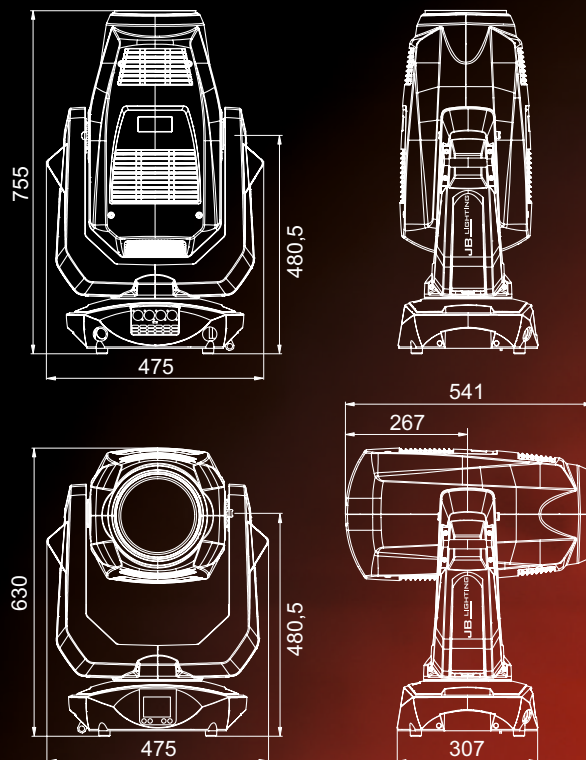
### Mechanical specifications

- Dimensions: W 475 x H 755 x D 307 mm
- Weight: 32 kg

### Scope of delivery

- Schuko on powerCON TRUE1, flexible rubber cable (2m long, 3 x 1.5 mm<sup>2</sup>)
- 2 Omega brackets

## Dimensions:



### Accessories:

- **Travel limitation** (Code ZU0029)
- **Lens hood** (Code JBK0315)
- **AMPTOWN single** (Code CASE31)
  - with SIP foam inlet, stacking troughs and scan window
  - Dimensions: W 60 x D 58 x H 86 cm
  - Weight without (incl. fixtures): approx. 48 (80) kg
- **AMPTOWN double** (Code CASE32)
  - with SIP foam inlet, stacking troughs and scan window
  - Dimensions: W 120 x D 58 x H 86 cm
  - Weight without (incl. fixtures): approx. 74 (138) kg



# JB LIGHTING

JB-Lighting Lichtenlagentechnik GmbH  
Sallersteig 15 · D-89134 Blaustein · Tel. +49 (0)7304 9617-0  
E-Mail: info@jb-lighting.de · [www.jb-lighting.de](http://www.jb-lighting.de)