

Pioneer Dj

# TURN IT UP TO 11

## DJM-S11

Professional scratch style 2-channel DJ mixer

- 4.3-inch touch screen with high frame rate
- Smooth Echo
- Deck 3/4 Control
- Enhanced design, larger pads, & low latency
- Scratch Bank
- High-quality audio
- MAGVEL FADER PRO
- 22 built-in Beat FX
- Direct USB connections
- Plug & play with rekordbox and Serato DJ Pro
- Full MIDI mapping
- Special edition DJM-S11-SE

serato DJ Pro | rekordbox







# Pioneer Dj

## DJM-S11

Reach the next level with innovative features



### SPECIFICATIONS

<b>Software</b>	rekordbox Serato DJ Pro						
<b>Frequency response</b>	20 Hz – 20,000 Hz (USB, LINE, MIC, AUX)						
<b>S/N Ratio</b>	115 dB (USB) 105 dB (LINE) 90 dB (PHONO) 80 dB (MIC) 90 dB (AUX)						
<b>Total Harmonic Distortion</b>	0.003% (USB) 0.005% (LINE)						
<b>Input/Output Terminals</b>	<table border="0"> <tr> <td><b>Inputs</b></td> <td>LINE x 2 (RCA) PHONO x 2 (RCA) MIC x 1 (XLR &amp; 1/4-inch TRS Jack) AUX x 1 (RCA)</td> </tr> <tr> <td><b>Outputs</b></td> <td>MASTER x 2 (XLR, RCA) BOOTH x 1 (1/4-inch TRS jack) HEADPHONES x 2 (1/4-inch stereo jack, 3.5-mm stereo mini jack)</td> </tr> <tr> <td><b>USB</b></td> <td>USB (Type A) x 2 USB (Type B) x 2</td> </tr> </table>	<b>Inputs</b>	LINE x 2 (RCA) PHONO x 2 (RCA) MIC x 1 (XLR & 1/4-inch TRS Jack) AUX x 1 (RCA)	<b>Outputs</b>	MASTER x 2 (XLR, RCA) BOOTH x 1 (1/4-inch TRS jack) HEADPHONES x 2 (1/4-inch stereo jack, 3.5-mm stereo mini jack)	<b>USB</b>	USB (Type A) x 2 USB (Type B) x 2
<b>Inputs</b>	LINE x 2 (RCA) PHONO x 2 (RCA) MIC x 1 (XLR & 1/4-inch TRS Jack) AUX x 1 (RCA)						
<b>Outputs</b>	MASTER x 2 (XLR, RCA) BOOTH x 1 (1/4-inch TRS jack) HEADPHONES x 2 (1/4-inch stereo jack, 3.5-mm stereo mini jack)						
<b>USB</b>	USB (Type A) x 2 USB (Type B) x 2						
<b>Power Supply</b>	AC 100 – 240 V, 50 Hz / 60 Hz						
<b>Power Consumption</b>	34 W						
<b>Maximum Dimensions (W x D x H)</b>	267 x 452.2 x 107.9 mm / 10.51" x 17.8" x 4.25"						
<b>Weight</b>	5.2 kg / 11.46 lb						
<b>Accessories</b>	Power cord USB cable Fader bumpers (A x 4, B x 2) Serato DJ Pro Expansion Pack voucher (Pitch 'n Time DJ) Certificate of Guarantee Quick Start Guide						



Visit the official Serato DJ Pro website for its specifications: [serato.com](http://serato.com)

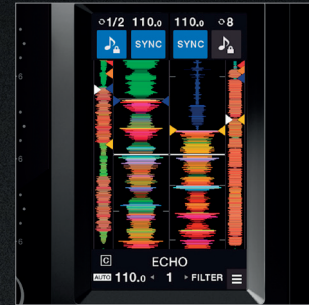


Visit the official rekordbox website for its specifications: [rekordbox.com](http://rekordbox.com)

### PRODUCT FEATURES

#### 4.3-INCH TOUCH SCREEN

Keep an eye on everything from waveforms to BPM information. Switch to the Touch FX screen and control two effects at the same time by tracing one finger across the surface, and use Touch MIDI to control DJ software functions without touching your laptop.

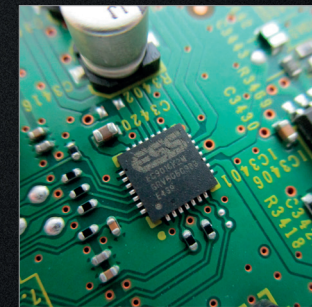


#### ENHANCED DESIGN WITH LARGE PADS AND LOW LATENCY

The load button is larger than the one on the DJM-S9 and ideal for quicker track selection. Latency is minimal and the eight Performance Pads are bigger too, making them easier to hit in energetic battles.

#### SMOOTH ECHO

Assign the effect to your choice from a selection of controls, e.g., a fader or pad. Then, when you turn on Smooth Echo, the echo will be triggered as soon as you move the relevant control.

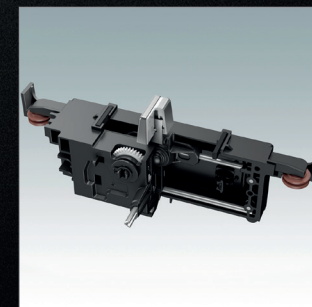
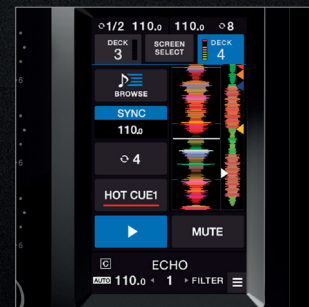


#### HIGH-QUALITY SOUND

With studio-quality 64-bit mixing and dithering processing inside the DSP, plus a low-jitter clock circuit and 32-bit high-quality D/A converter in the master output section, the mixer inherits a high-density, raw sound from the industry-standard DJM-900NXS2. Premium audio technology ensures that every detail of your performance is heard loud and clear.

#### DECK 3/4 CONTROL

Play up to four tracks simultaneously and control EQ, Hot Cues, and more – the two extra decks are accessed via the touch screen. When you use Serato DJ Pro, you can move tracks from deck 1 to 4 and deck 2 to 3 without interrupting the sound, and, with Dual Deck control in Serato DJ Pro, you can adjust volume and effects for two decks at the same time, or scratch two tracks simultaneously.



#### IMPROVED MAGVEL FADER PRO

The MAGVEL FADER PRO feels even better than the DJM-S9 and the rigidity of the knob mounting axis in the vertical direction is boosted by 30 percent. Tougher coating around the crossfader area reduces wear to the top panel, too.

\* Disclaimer: Specifications and price are subject to change. | \* rekordbox™ is a trademark or registered trademark of AlphaTheta Corporation. | \* Serato DJ Lite, Serato DJ Intro, Serato DJ Pro, Serato DJ, and Scratch Live are registered trademarks of Serato Limited. | \* Mac and macOS are trademarks of Apple Inc., registered in the U.S. and other countries. | \* Other product, technology, and company names, etc. mentioned herein are trademarks or registered trademarks of their respective owners.

